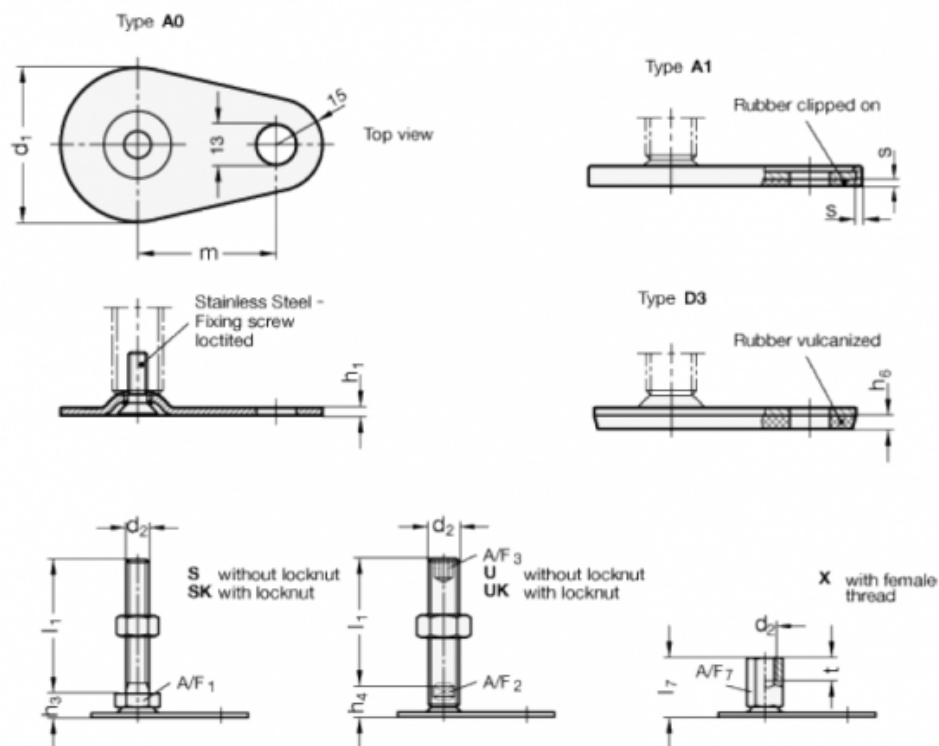


Article number: 204260M825A0X
 Description: E+G levelling foot
 GN 42-60-M8-25-A0-X
 Note: X With female thread, External hexagon

Measures



A/F7 = 14	t = 8
d1 = 60	
d2 = M8	
h1 = 2.5	
h6 =	
l7 = 25	
m = 50	
s =	